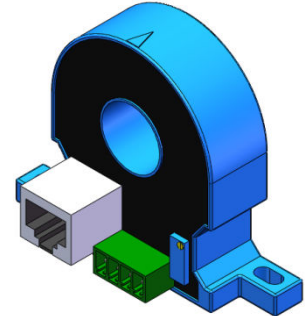


DC Leakage Current Sensor

SCD10



Product description

Features

- SCD series DC leakage current sensor, using the principle of magnetic modulation closed-loop, for isolated measurement of DC milliampere small current.
- The isolation voltage between primary and secondary is greater than 3000VAC.
- Temperature compensation circuit control, zero drift, accurate measurement.
- Perforated input, unplugging terminals, screw fastening flat mounting.
- Overall size(mm): 72(L)×18(W)×60(H); Aperture: 18mm
- Comply with UL94-V0 flame retardant rating.
- Switching input, RJ45 standard interface output

Applications

- Widely used in emerging industries and fields such as electric power, industrial automation, solar photovoltaic, etc.

Implementation standards

- GB/T 7665-2005
- JB/T 25480-2010
- JB/T 11205-2011
- SJ 20790-2000

Certifications:



Technical Parameters

Model Parameters (25°C)	SCD10-				
	10mA	20mA	50mA	100mA	1A
Primary Current I_{PN} (DC)	10mA	20mA	50mA	100mA	1A
Primary Current Max. Peak Value I_{PM} (DC)	±12mA	±24mA	±60mA	±120mA	±1.2A
Output voltage V_{out} @ ± I_{PN} , $R_L=10K\Omega$	±5V±1%				

Electrical Data

Item	Min.	Typical	Max.	Unit
Input power supply voltage range V_C (±5%) (Remark 1)	±11	±12	±18	V_{DC}
Current consumption I_C	-	±10	-	mA
Withstand resistance R_{INS} @500V DC	1000	-	-	$M\Omega$
Output voltage V_{out} @ I_{PN} , $R_L=10K\Omega$, $T_A=25^\circ C$	4.950	5.000	5.050	V
Output internal resistance R_{OUT}	-	100	-	Ω
Load Resistance R_L	-	10	-	$K\Omega$
Accuracy X @ I_{PN} , $T_A=25^\circ C$	-	±1	-	%
Linearity ε_L @ $R_L=10K\Omega$, $T_A=25^\circ C$	-	±0.5	-	%
Offset voltage V_{OE} @ $T_A=25^\circ C$	-	±50	-	mV
Temperature coefficient of offset voltage TCV_{OE}	-	±1	±2	mV/°C
Response Time t_D @ $0 \rightarrow I_{PN}$	-	500	900	ms
Operating ambient temperature range T_A	-10	25	75	°C
Storage ambient temperature range T_s	-25	25	85	°C
Insulation withstand voltage V_D @50Hz, 60s, 0.1mA		3000		V_{AC}
Weight m		70		g

Remark:

Shenzhen SoCan Technologies Co.,Ltd

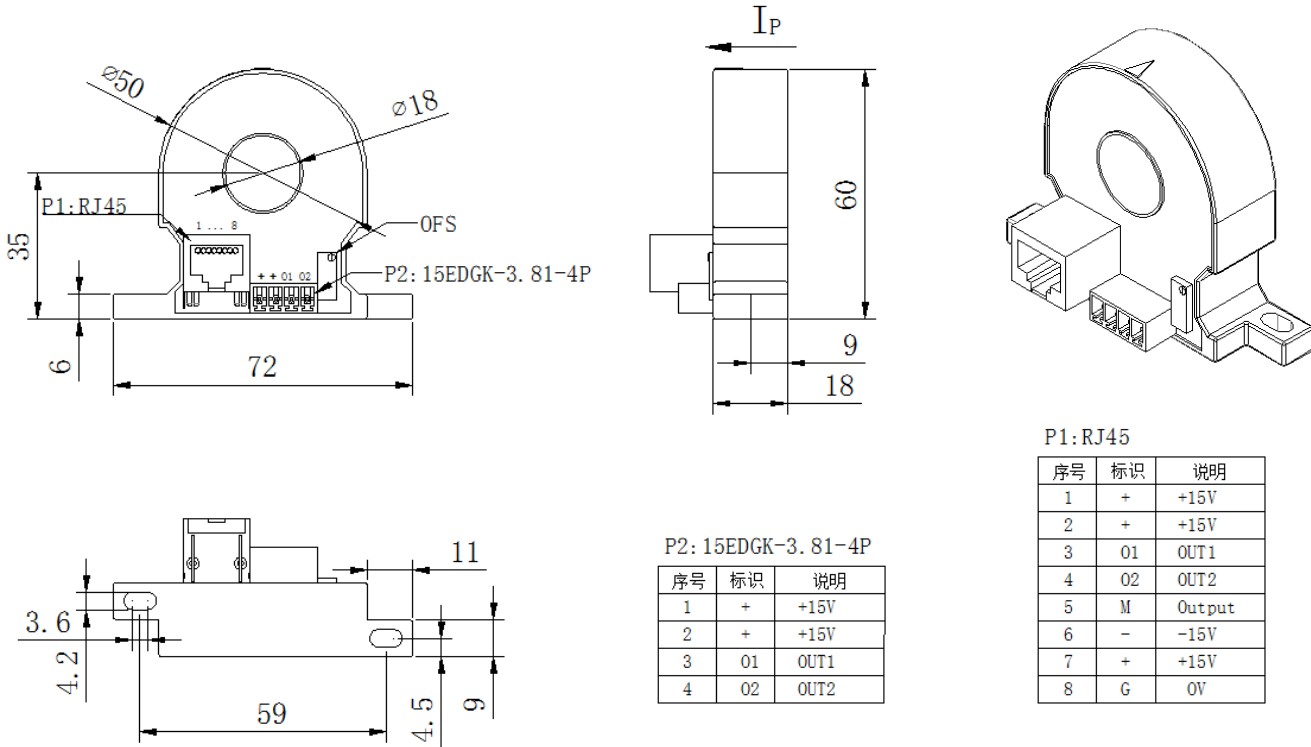
SoCan is committed to continuously improving product quality, and the company reserves the right to update its products.

www.szsocan.com
sales@szsocan.com

1. If VC is less than the minimum value, the measurement will be inaccurate. If VC is greater than the maximum value, it may cause permanent failure of the measuring device.

$$2. V_{OUT} = 5.05 * \frac{R_L}{100 + R_L} * \frac{I_P}{I_{PN}} + V_{OE}$$

Dimensions (in mm)



P2: 15EDGK-3. 81-4P

序号	标识	说明
1	+	+15V
2	+	+15V
3	01	OUT1
4	02	OUT2

P1: RJ45

序号	标识	说明
1	+	+15V
2	+	+15V
3	01	OUT1
4	02	OUT2
5	M	Output
6	-	-15V
7	+	+15V
8	G	0V

Notes:

1. Size error: ± 0.5 mm;
2. Primary aperture: $\phi 18$ mm;
3. Fastening hole: $\phi 4.2 \times 3.6$ mm*2;
4. Switching output terminal: 15EDGK-3.81-4P,
Signal output terminal: RJ45 network port;
5. The IP indication direction is the positive direction of the current, and the OFS is the zero adjustment;
6. Incorrect wiring may cause damage to the sensor;
7. The zero voltage of the sensor can be adjusted appropriately according to the needs of users;